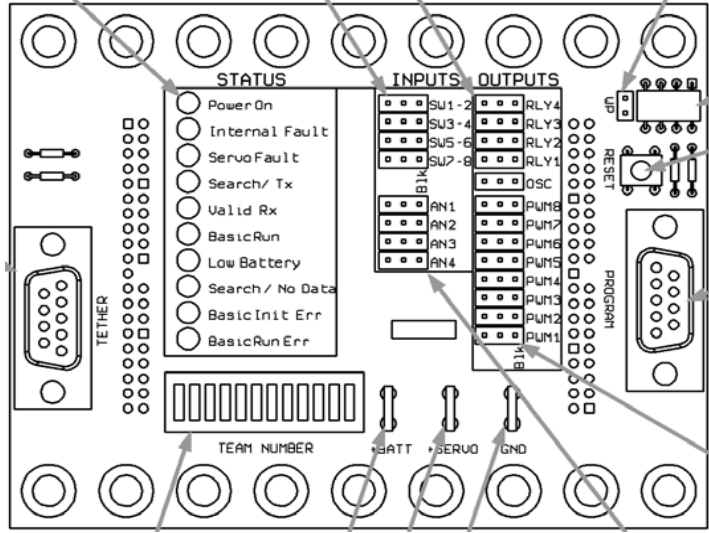
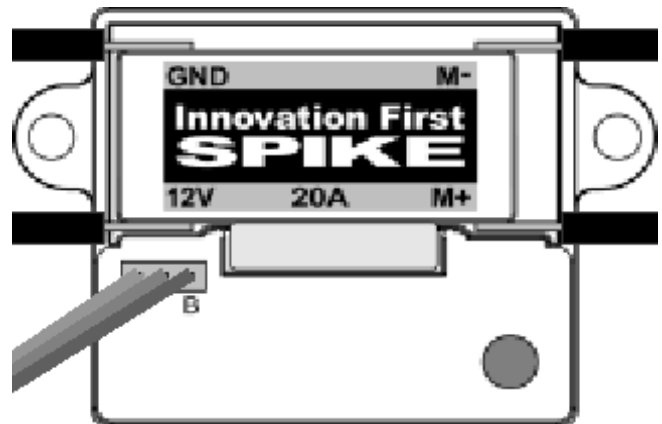
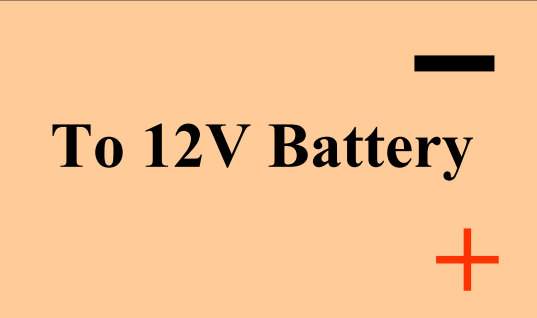
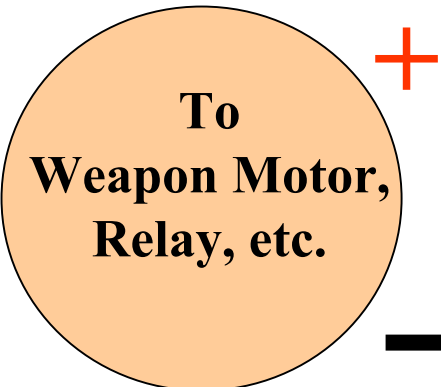


Name _____ Date _____

Directions: Use red (+), black (-) and blue (PWM), correctly wire the IFI PC Board/Spike Relay/weapon,motor/battery system.



**PWM
To
RLY1**



Robot Controller PC Board

