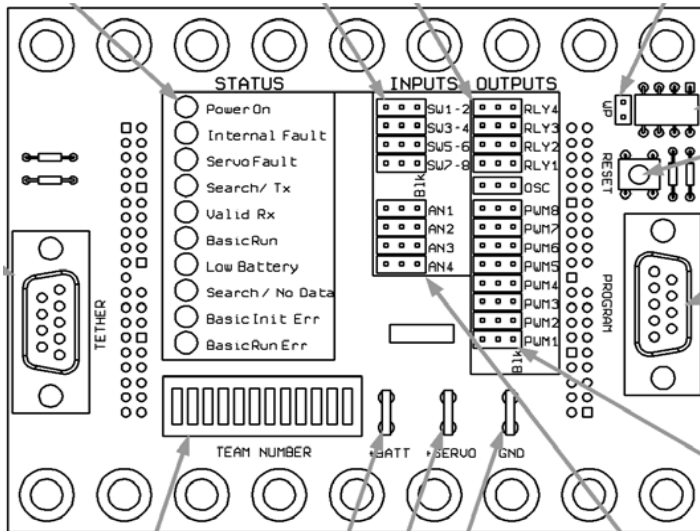
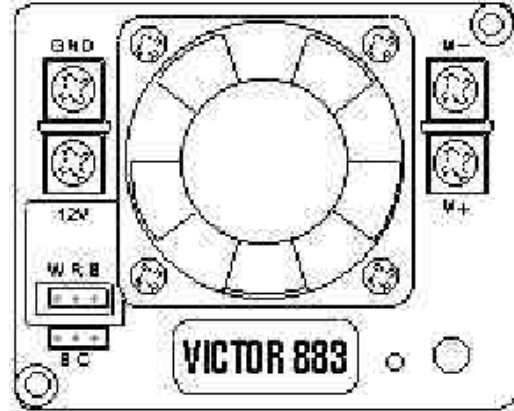
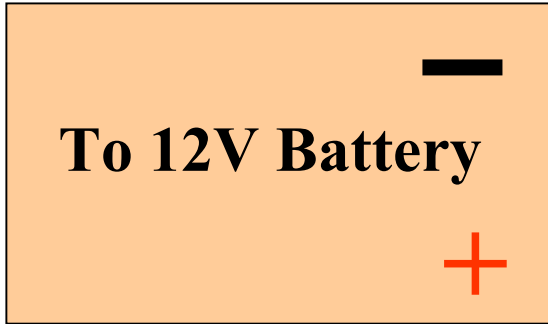
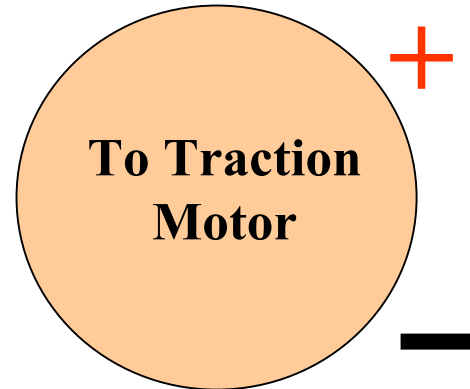


Name _____ Date _____

Directions: Use red (+), black (-) and blue (PWM), correctly wire the IFI PC Board/Victor speed controller/motor/battery/



To PWM 1



Robot Controller PC Board

