

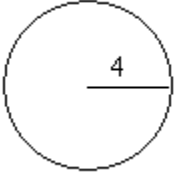
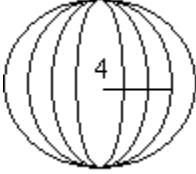
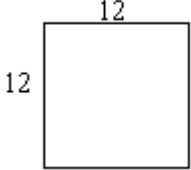
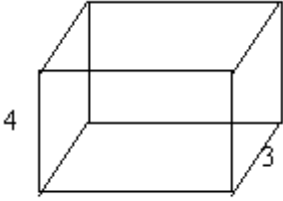
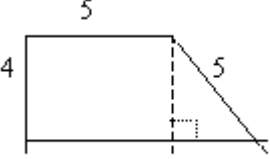
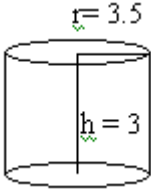
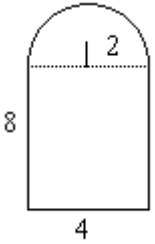
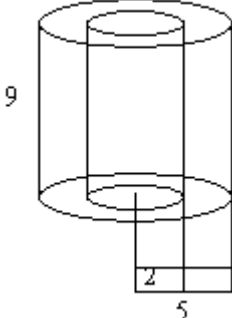
7.1 Area and Volume of 2D and 3D objects.

7.1.8.1

Leave in terms of  $\pi$ .

Find the area

Find the Volume

 <p style="text-align: center;"><math>A = \underline{\hspace{2cm}}</math></p>	 <p style="text-align: center;"><math>V = \underline{\hspace{2cm}}</math></p>
 <p style="text-align: center;"><math>A = \underline{\hspace{2cm}}</math></p>	 <p style="text-align: center;"><math>V = \underline{\hspace{2cm}}</math></p>
 <p style="text-align: center;"><math>A = \underline{\hspace{2cm}}</math></p>	 <p style="text-align: center;"><math>V = \underline{\hspace{2cm}}</math></p>
 <p style="text-align: center;"><math>A = \underline{\hspace{2cm}}</math></p>	<p>What is the volume of the outer ring?</p>  <p style="text-align: center;"><math>V = \underline{\hspace{2cm}}</math></p>